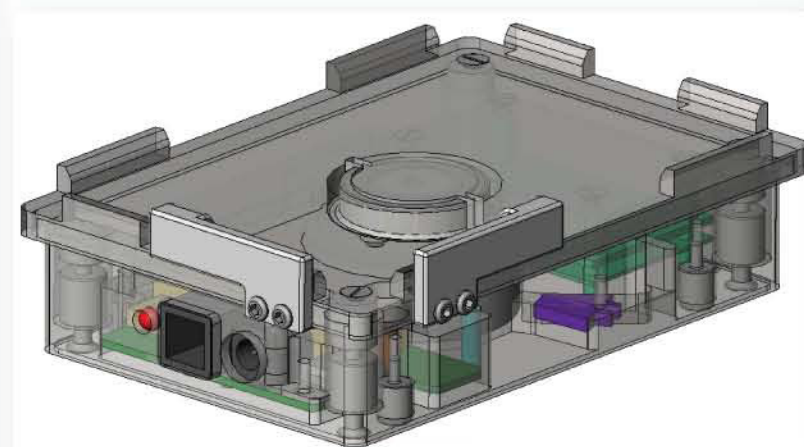
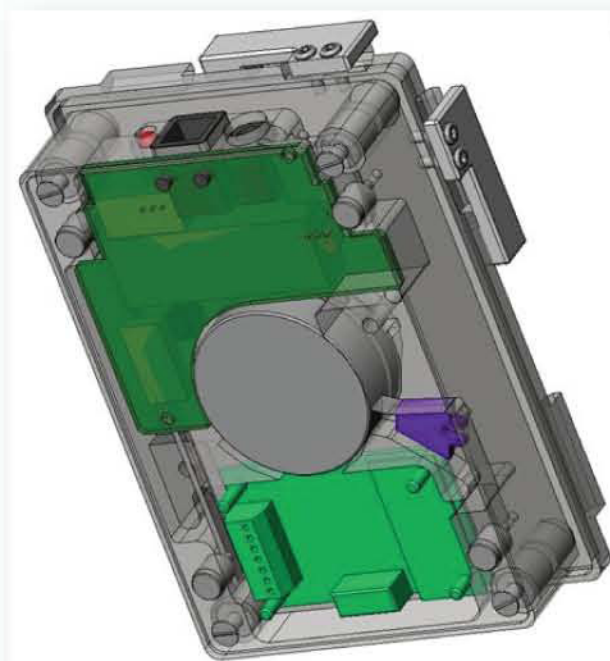


3D CAD Views



Accessory Modifications per Model:

7500 RPM High Speed option, doubles shaker speeds.

Containment Clip Material option: Standard polypropylene clip replaced with Delrin, polyethylene or nylon.

Containment Clip For Lid option: Higher clip design accommodates wellplate lid along with well plate. Let us know the model and brand of wellplate.

Increased Weight option: Handle loads up to 3 lbs. (1.4 kg).

Custom Shaker Platform: Tell us what bio-robot gripper design you are using and we will reconfigure the shaker platform to accommodate that gripper



Ordering Information

Description	Pricing
Sheeva Microplate Orbital Shaker - RS232 - Model	\$2450.00



For Scientists, By Scientists!

ISO 9001 : 2000

Orochem Technologies Inc.

Sheeva Microplate Orbital Shaker RS 232 Model

Features

- Rotationally shakes a single microplate.
- 0.5, 1 or 2 mm orbital motion. Small enough not to spill liquids at high speed.
- Full and rich ASCII command set, with sample VB6 PC interface.
- Low stirring speed to ultra vigorous mixing and vortexing speeds for viscous liquids; 60 to 3570 RPM.
- 24 VDC power for safe and easy integration with other automation.
- Cold running motor allows continuous operation, weeks at a time.
- Small number of precision components for extreme reliability over years of use.
- Spring clips secure microplate; easy on and off for robots or lab staff.
- Base is same size as microplate & fits onto robotic decks without modifications.
- Precise home positioning every time.
- Use the microplate's own cover to protect contents.



For Biotechnology, Genomics and Proteomics Processing

Orochem Sheeva Microplate Orbital Shaker, RS 232 Model with data control is designed to provide an orbital shaking motion for a single microplate, keeping liquids either gently stirred or fully mixed and in-suspension. Link-up to any PC with RS-232 serial data control. Rich ASCII command set with features such as programmable acceleration and velocity, auto-homing positioning, status information, timed mode, alternating speed mode. Drop in the ActiveX for your own development. Link over 35 units in a daisy chain to a single serial port. Ultra thin profile and same footprint dimensions as a standard wellplate.