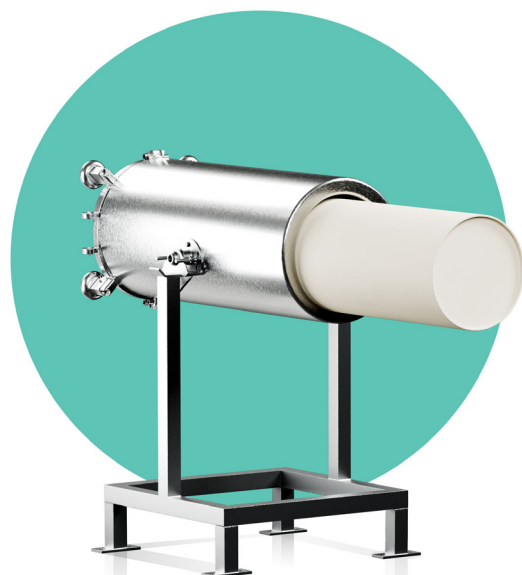
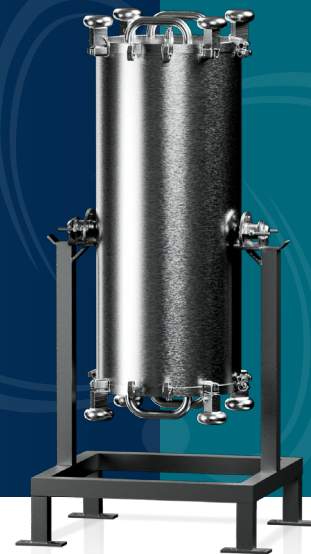


# ISOSPEED Flash Chromatography System



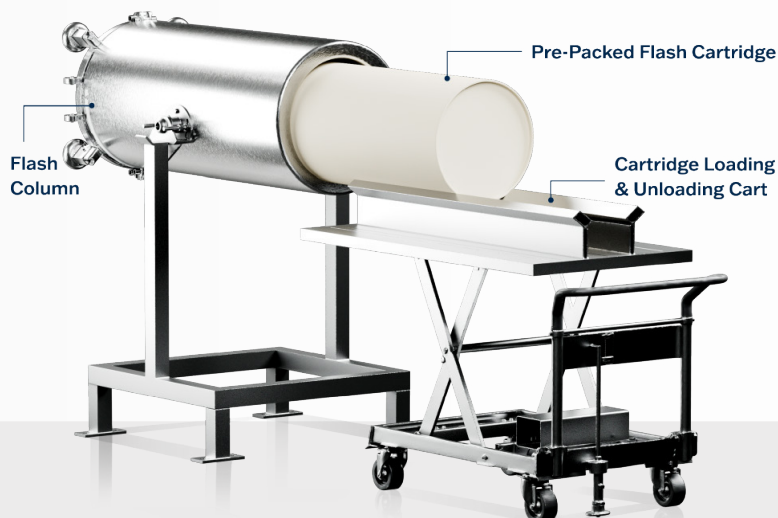
## Features & Functions

ISOSPEED is a single column prep-scale flash chromatography system with a unique swivel design for fast cartridge loading and unloading. Pre-packed cartridges install quickly and are available in multiple phases, allowing you to switch between separations with minimal downtime.

- ✓ Solvent Delivery System With Flow Control
- ✓ Normal Phase (Silica) & Reversed Phase (Polymeric HP20)
- ✓ Inline Sample Loading
- ✓ cGMP & CIP Compliant (Audit-Ready From Day One)

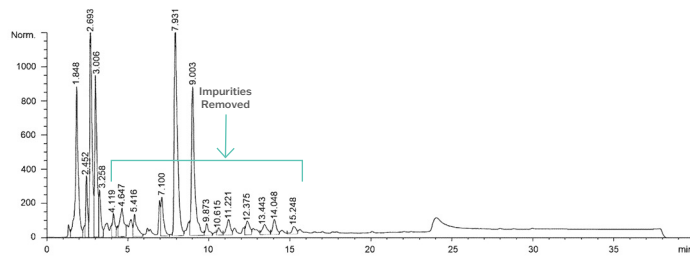
## Kilo-Scale Purification Without Industrial Complexity

ISOSPEED is a production-ready flash chromatography system designed for teams that need reproducible, kilo-scale purification without the overhead of full industrial chromatography. Purpose-built for post-synthesis compound purification and final API polishing.



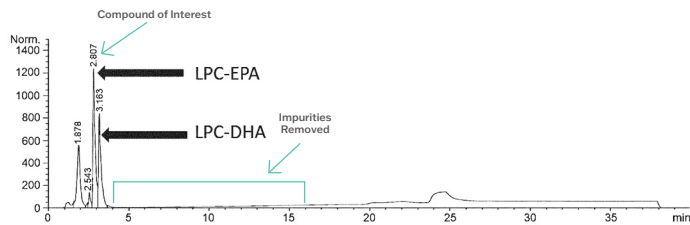
## LPC-EPA & LPC-DHA Before & After ISOSPEED Purification

**Before ISOSPEED**



**FIG. 2**

**After ISOSPEED**



**FIG. 4B**

Pat. No. US12173254B2

## Trusted Across Industries

ISOSPEED has delivered proven purification and API polishing results across nutraceuticals, cannabinoids, botanical extracts, and pharmaceutical intermediates.

Contact our team to view application case studies or request a technical consultation.

## System & Process Customization

Orochem's purification specialists and engineers will work directly with your team on system customizations and upgrades, including:

- ✓ N2 Environment & Leak Detection Port
- ✓ Custom Sizes & Phases Based on Customer Requirements
- ✓ Online-UV Detection
- ✓ Multi-Column Configurations (ISOSPEED-2 & ISOSPEED-4) For Higher Throughput

